

NEW

L2-SERIES LOW VOLTAGE POWER CAPACITORS

Capacitor elements of metallized polypropylene film are self-healing and dry without impregnation liquid. Each capacitor element is individually protected with patented internal protection.

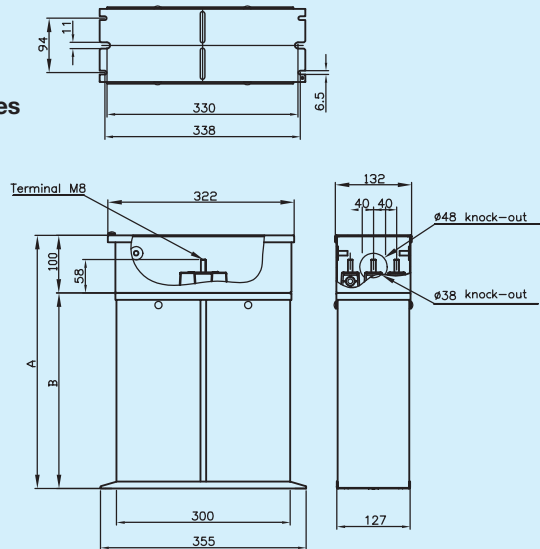
L2 design has

- smaller dimensions
- lower losses
- cable termination for one or two outputs
- internal discharge resistors





L2-series



TECHNICAL DATA

Type:

L2-series
Self-healing
Dry type design
Patented internally
protected elements

Degree of protection:

Steel enclosure

Insulation level:

IP 42 or IP00

Losses:

4 kV rms/12 kV crest

Continuous overvoltage:

$1.1 \times U_N$

Continuous overcurrent:

$1.3 \times I_N$

Temperature category:

-40/C
min. -40°C, max +50°C
Highest mean over
any period of:
- 24 hours +40°C
- 1 year +30°C
Other conditions,
contact manufacturer.

Standards:

IEC 60831-1 (1996/2002)
IEC 60831-2 (1995)

Capacitors are supplied with internal discharge resistors (3min. 75 V) and terminal boxes (IP42) or without terminal box (IP00).

Standard series, for 50 Hz or 60 Hz frequencies, are available for the following voltages: 220, 230, 240, 380, 400, 415, 440, 480, 525, 600, 660, and 690 V.

Other voltages up to 1000 V on request.

For power range ≤ 50 kvar compact size, L1-series units also available (see other leaflet).

Standard types for indoor mounting

L2 casing Type	Dimensions (height)		Weight kg	Power rating at 400 V 50 Hz	
	A mm	B mm		One output kvar	Two outputs kvar
ML2D	243	143	7	15	7,5+7,5
ML2D	243	143	7	20	10+10
ML2D	243	143	7	25	12,5+12,5
FL2D	341	241	9	30	15+15
FL2D	341	241	9	35	11,7+23,3
FL2D	341	241	10	40	20+20
FL2D	341	241	10	50	25+25
SL2D	438	338	13	60	30+30
SL2D	438	338	14	75	37,5+37,5
AL2D	536	436	15	80	40+40
AL2D	536	436	17	100	50+50

In line with our policy of on-going product development we reserve the right to alter specifications.



Nokian Capacitors Ltd
Kaapelikatu 3, P.O.Box 4
FIN-33331 Tampere, Finland
Tel. +358 3 3883 11, fax +358 3 3883 360
www.nokiancapacitors.fi